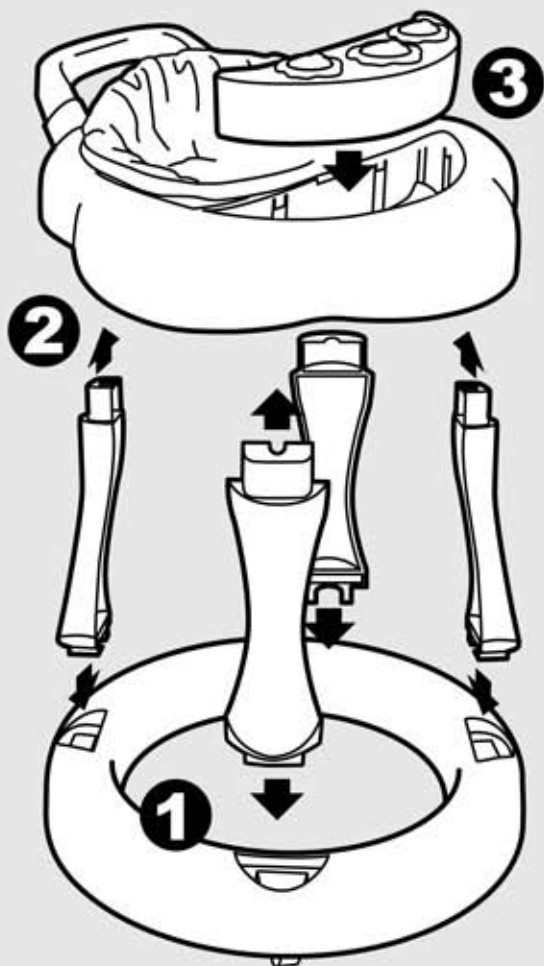




Baby Walker Instructions

Adult Assembly Required - No Tools Required

If parts are missing, do not return to store. Call 1-800-422-2244 or contact us at info@jctoys.com



Step 1:

Click legs (4) into corresponding openings on base of walker. Tug lightly to make sure all legs are secure.

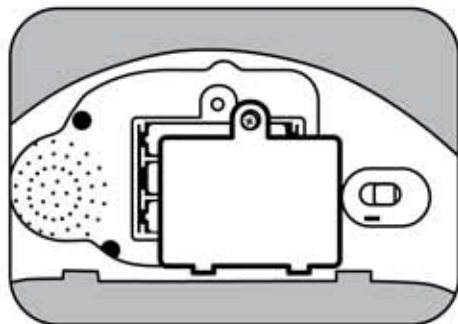
Step 2:

Line up top part of walker and click legs into openings found on bottom.

Step 3:

Lastly, place module inside opening on top part of walker.

To Install or Replace Batteries



3 AAA batteries are included for demonstration purposes and may need to be replaced by consumer. Alkaline batteries are recommended. To replace batteries, use a Phillips screwdriver to loosen screw on battery compartment. When done, replace cover and tighten screw.

Non-rechargeable batteries are not to be recharged. Rechargeable batteries are to be removed from the toy before being charged. Rechargeable batteries are only to be charged under adult supervision. Different types of batteries or new and used batteries are not to be mixed. Only batteries of the same or equivalent type as recommended are to be used. Do not mix alkaline, standard (carbon-zinc) or rechargeable (nickel-cadmium) batteries. Batteries are to be inserted with the correct polarity. Exhausted batteries are to be removed from the toy. The supply terminals are not to be short-circuited. Requires 3 x 1.5V size AAA batteries. Batteries included for demonstration purposes.

WARNING: This product is a toy designed to be used with dolls and stuffed animals only. Under no circumstances should product be used with real babies.



For more information visit:
www.JCTOYS.COM



Miami, Florida 33178.
©2006 JC Toys Group, Inc.