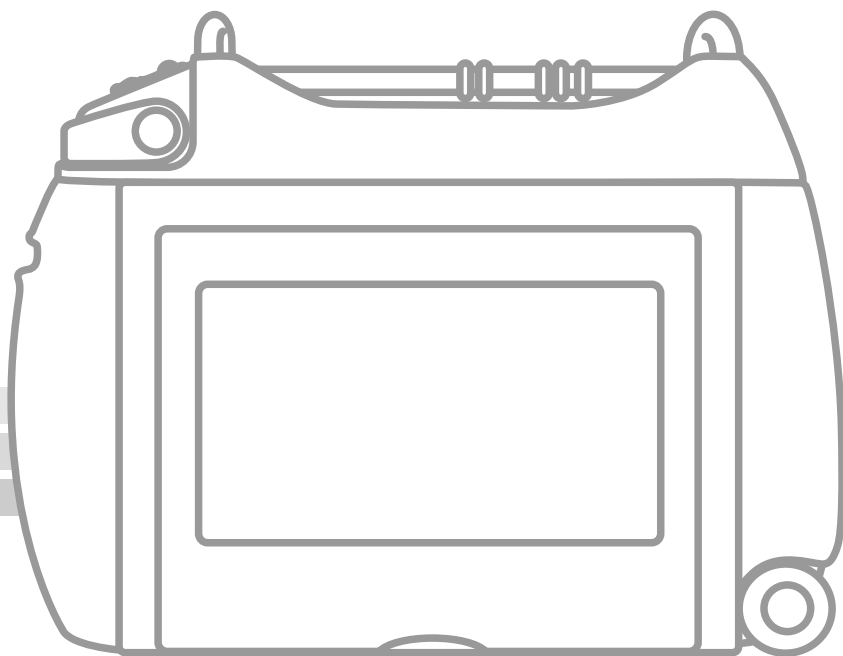


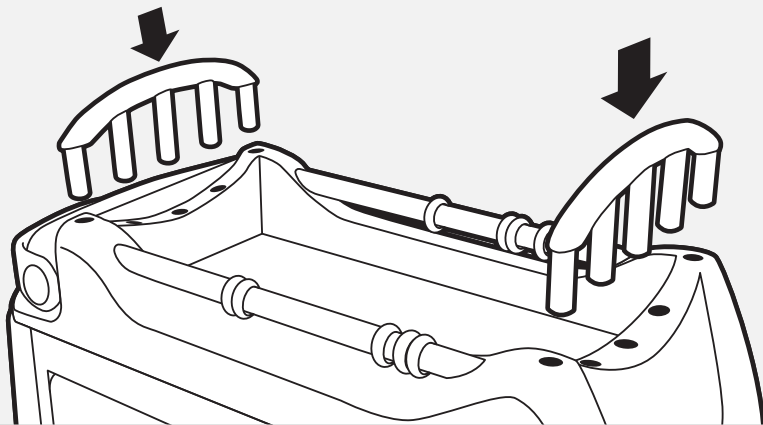
# Nursery Center

## PRODUCT INFORMATION

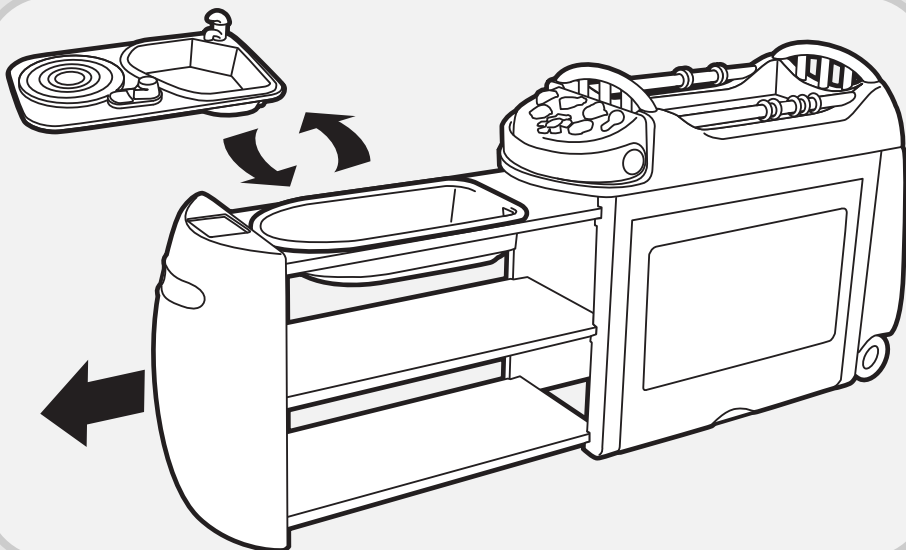


# Nursery Center Basic Instructions:

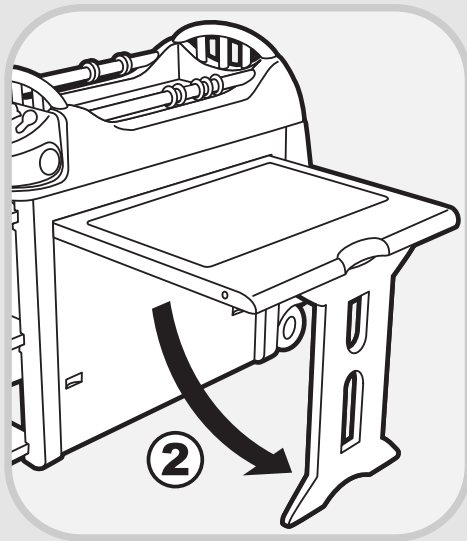
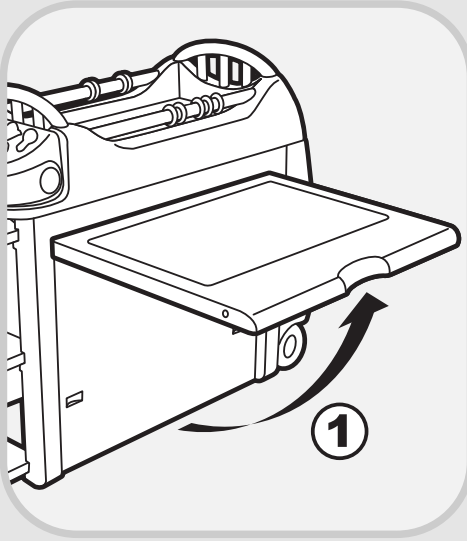
1. Insert **Crib Railing** into place as shown below.



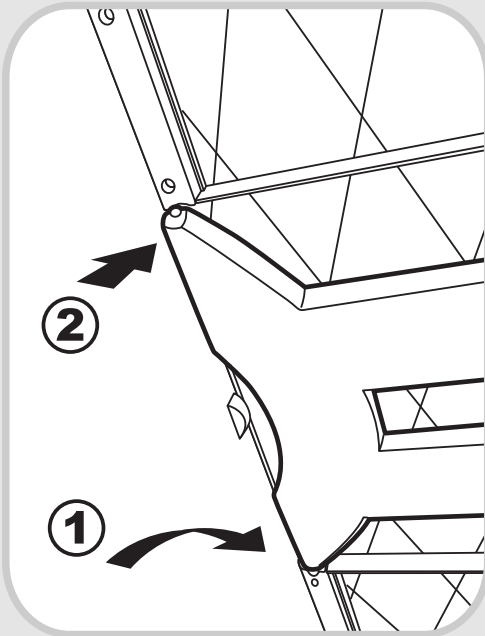
2. Slide out front play panel to access bathtub/kitchen set and extra storage. Bathtub and Kitchen can be interchanged by snapping part in and out of place as shown.



3. Lift changing table and slide out changing table leg until it snaps into place.

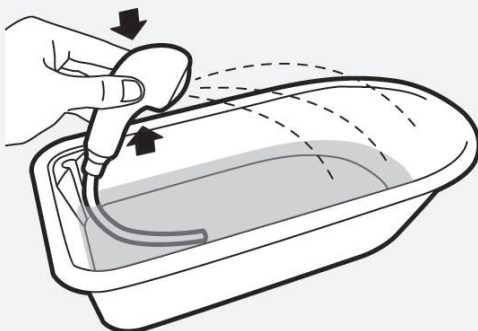


4. Fold back changing table by first folding back support leg and snapping it into housing underneath changing table. **VERY IMPORTANT:** To ensure proper fit of support leg into housing, snap each side of leg base into housing separately. Once support leg is secure fold down changing table into place.

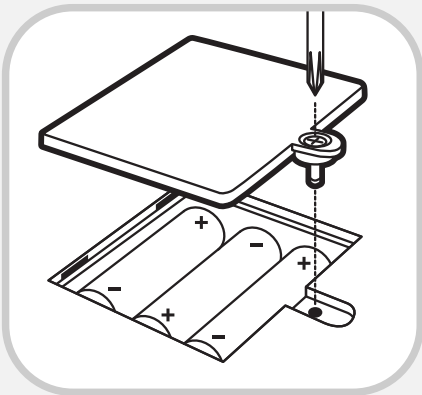


# Shower Head

In order for shower head to work properly, filling tube must be submerged in water. Squeeze showerhead repeatedly to create suction and to release water.



# Batteries



3 AA batteries are included in Nursery Center. To replace batteries, lift crib pad and using Phillips screwdriver loosen screw on battery compartment top. Lift top and replace batteries. Once batteries are replaced, close top and tighten screw.



## WARNING:

Nursery Center and Accessories are toys designed to be used with dolls and stuffed animals only. Under no circumstances should product be used with real babies. Do not mix old and new batteries. Do not mix alkaline, Standard (carbon-zinc) or rechargeable (nickel-cadmium) batteries. Requires 3 x 1.5V size AA batteries.